

Main Specifications

▼Size
3" ,4" ,5" ,6"

▼Window
Tempered glass
With O-ring sealed

▼Process connection
Material: SS 304
With O-ring sealed
Size: 1/4" ,3/8" ,1/2" ,3/4" ,1"
Type: BSPT, NPT, PF

▼Stem
Material: SS 304
Outer diameter 1/4"
(6.35mm)
Minimum length: 2.5"
Maximum length: 80"
(63.5mm ~ 2032mm)

▼Temperature range
Min.: -50°C
Max.: +600°C

▼Applicable fluid
Liquid and gas that compatible with SS 304

▼Working environment
Head temperature should not over 90°C
Stem cannot continually expose to:
operating temperature over 1/2 full scale or 400°C
(Install a thermowell is recommended)

▼Protection level
IP 54

Other Specifications

▼Ring
Stainless steel
Crimp bezel

▼Back housing
SS 304
External adjustable screw
(Flathead, hex head)

▼Pointer
Aluminum with black enamel

▼Dial face
Red and black scale
Blue and black scale

▼Measuring elements
Bi-metal
Temperature sensing area:
last 2" -4" of stem

▼Temperature accuracy
1.5%

▼Operating temperature
Stabilization: 3/4* full scale
Short-time: 1* full scale

Bi-metal Thermometer (Crimp Bezel, Adjustable Angle Type)
Model: BTA



Features

- OEM service
- All stainless steel design
- Full scale accuracy within 1.5%
- Customized stem length
- External adjustable screw

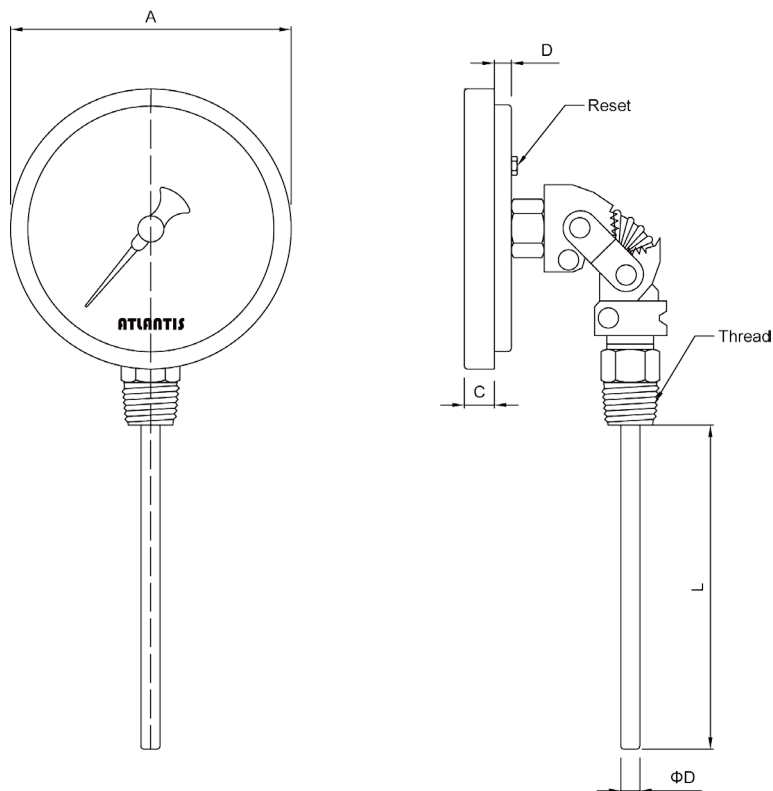
Due to the variety of customization, the picture is only for reference, please confirm the actual item with our sales. (If there is any change on specification, please take the latest version as standard.)

How to order

<u>BTA</u>	<u>3"</u>		<u>2</u>		<u>P</u>	<u>-5...50°C</u>		<u>2.5"</u>	<u>6.35 mm</u>
Model	Size	Code	Thread size	Code	Thread type	Temperature range	Stem length	Outer diameter	
BTA	3"	0	None	P	BSPT	-50°C...600°C	2.5"	6.35 mm	
	4"	2	1/4"	N	NPT	Others	4"	8 mm	
	5"	3	3/8"	F	PF	(please specify)	6"	9.5 mm	
	6"	4	1/2"				9"	12 mm	
		6	3/4"				12"		
		8	1"				...80"		

Ordering example: BTA - 3" - 2 - P - (-5...50°C) - 2.5" - 6.35 mm

Dimension



Other requests:

- Inspection report (issued by Re-Atlantis)
- Silicone sealing IP67
- Customized dial face (scale, color, etc.)
- Adjustable threaded rods
- Thermowell
- Special pointer: knife edge pointer
- O-ring material (for sealing window): rubber (standard), silicone rubber
- Remove external adjustable screw
- Anti-sway pointer:
Yes (standard) / No (higher sensitivity)
- Tag
- Stem material: SS 316
- Back housing material: SS 316
- Third party notarized document
- Safety glass (only available for size > 4")
- Concave panel (for easier observing)
- Minimum length (exclude thread): 40 mm (200~300°C)
- Accuracy: 1%