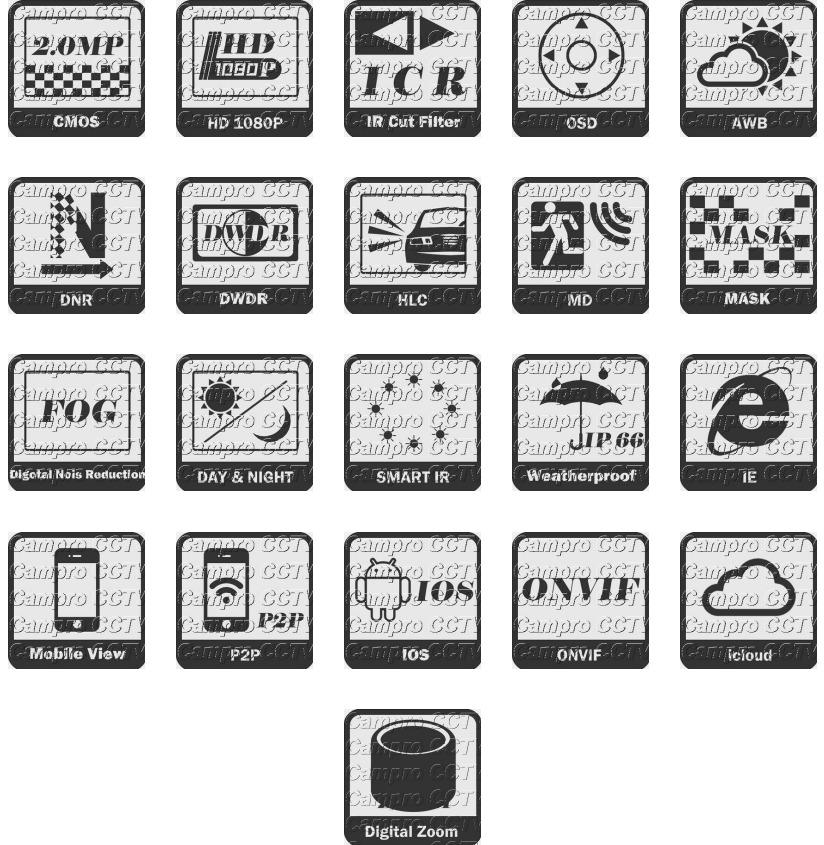
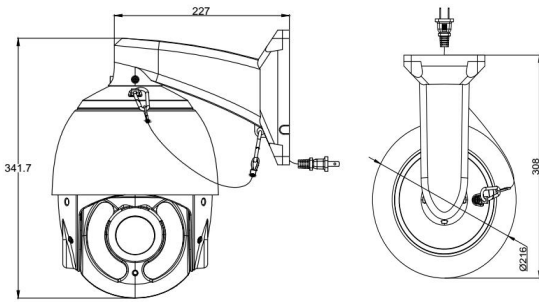


Campro

CB-18X-A1520

7.0" 18X 2.0MP HD Hybrid 150M IR PTZ



CB-18X-A1520

Image Sensor	1/2.9" SONY IMX323-2.0MP Sensor
Effective Pixels	1080P (1920x1080)
Total Pixels	2.0 Mega Pixel
Output Pixel	1920x1080/30fps, 1920x1080/25fps, 1280x960/60fps, 1280x960/50fps
Lens	18X Optical Zoom f=5.53mm(W)~96.3mm(T) ±5%
Aperture Value	F1.6~F2.7
View of Angle	H : WIDE 54.8°, TELE 3.4°, V : WIDE 41°, TELE 2.5°
Minimum Illumination	Color: 0.1Lux / B/W: 0.01Lux
D/N	IR-Cut
AGC	Auto / Manual
BLC	Auto
White Balance	Indoor / Outdoor / Auto / Manual
2D DNR	Support
Privacy Mask	Support
Signal to Noise Ratio	More than 50 dB
Software Control	IE, CMS, Management Platform
Mobile View (Optional)	Support Windows, Symbian, iPhone Platform Smartphone
Horizontal Rotation Range	360°
Tilt Rotation Range	93°

Horizontal Rotation Speed	0.02-400°
Tilt Rotation Speed	0.02-90°/s
Auto Flip	Horizontal 180°, Vertical 93°
Ratio Speed	Support
Preset Speed	200°/s
A-B Scan	User Programmable
A-B Scan Speed	1-64 Levels Setting Available
Dwell Preset	1-60s Interval Available
Preset Points	220
Guard Tours	8 Groups
Guard Points	Max. 16 Points, Dwell Time user Selectable
PWR On Action	Memory / Pattern 1 / Tour 1 / 360° Scan / A-B Scan / Park 1 / None
Operation Menu	Multiple Languages for OSD Menu
Park Time	0-60 Minutes
Pattern Scan	4pcs
Pattern Scan Record	Max.15 minutes, max.512 commands
Time Scheduling Function	6 Tasks
Auto Control IR LED	PWM
Ambient Light Detection	IR Illumination on 1-9 Grades Selectable
IR LED	8 x ϕ 16 Array IR Led
IR Distance	Up to 150M
Communication Protocol	Pelco-D, Pelco-P
Baud Rate	1200 / 2400 / 4800 / 9600bps (Default: 9600bps)
Video Output	AHD / CVBS / CVI / TVI Switchable
Communication Mode	RS-485 (+/-)
Connection	Coaxial Cable
Operating Temp.	Indoor: 0~40°, Outdoor: -40°~+60°
Humidity	≤95% Non Condensing
Heater & Blower	Auto Temperature Control
Power	DC12V ≤ 4A
Power Consumption	< 25W
Lighting Protection	Transient Voltage 6000V
Size / Weight	4.6KG (N.W), 6.2KG (G.W)
Related Validation	IP66
Certification	CE / FCC / RoHS