

Round Shape Rocker Switch PRL3-5 Series

SPECIFICATIONS

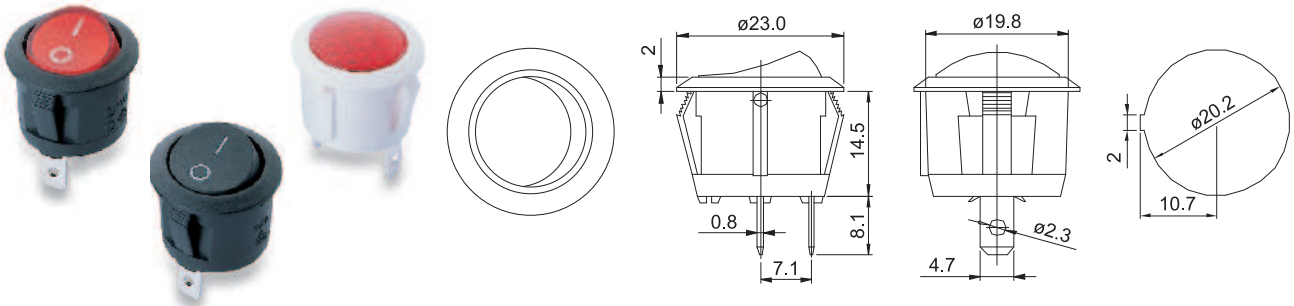
- Rating: H:10A, 125VAC/ 6A 250VAC
6(2)A 250VAC T125
T:16A, 125VAC/ 10A 250VAC
1/3HP 125~250VAC T105
- Contact resistance: 20mΩ Max.
- Insulation resistance:
100MΩ Min. at 500VDC
- Dielectric strength: 1,500VAC for 1 minute
- Safety approval:



PART NUMBERING SYSTEM

{1}	PRL3-5	{2}		{3}	Rocker / Housing	{4}		{5}		{6}	F		
{1}	Series: PRL3-5: Round shape rocker switch												
{2}	Circuit: A: 2P ON-OFF		D: 2P (ON)-OFF		B: 3P ON-ON		E: 4P with LED		C: 3P ON-OFF-ON			I: 2P Indicator	L: 3P Illuminated
*	(:): Momentary												
{3}	Color: B: Black, G: Green, H: Gray, I: Ivory, R: Red, S: Slate gray, W: White, Y: Yellow												
{4}	Stamp: 0:	1:	2:	3:	4:	5:	6:	7:					
{5}	Rating: H: 10A, T: 16A												
{6}	F: RoHS compliance												

DIMENSIONS (Unit:mm)



Rocker Switch PRL1-4 Series

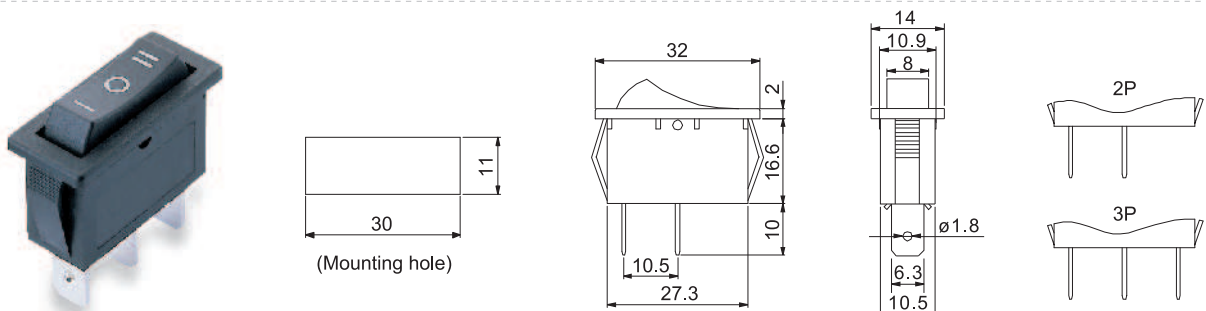
SPECIFICATIONS

- Rating: 10(4)A, 250VAC T85
16(4)A, 250VAC T125
15A, 125V/7.5A 250VAC
- Contact resistance: 20mΩ Max.
- Insulation resistance: DC 500V 100MΩ Min.
- Dielectric strength: 1,500VAC for 1 minute

PART NUMBERING SYSTEM

{1}	PRL1-4	{2}		{3}		{4}	Rocker / Housing	{5}		{6}	F
{1}	Series: PRL1-4: Rocker switch										
{2}	Circuit: A: 2P ON-OFF, B: 3P ON-ON, C: 3P ON-OFF-ON, L: 3P illuminated										
{3}	Rocker Type: 0:		1:		2:						
{4}	Color: B: Black, G: Green, H: Gray, I: Ivory, R: Red, W: White, Y: Yellow										
{5}	Stamp: 0:	1:	2:	3:	4:	5:	6:	7:	8:	ON	OFF
{6}	F: RoHS compliance										

DIMENSIONS (Unit:mm)



PRL3-5 Series
PRL1-4 Series