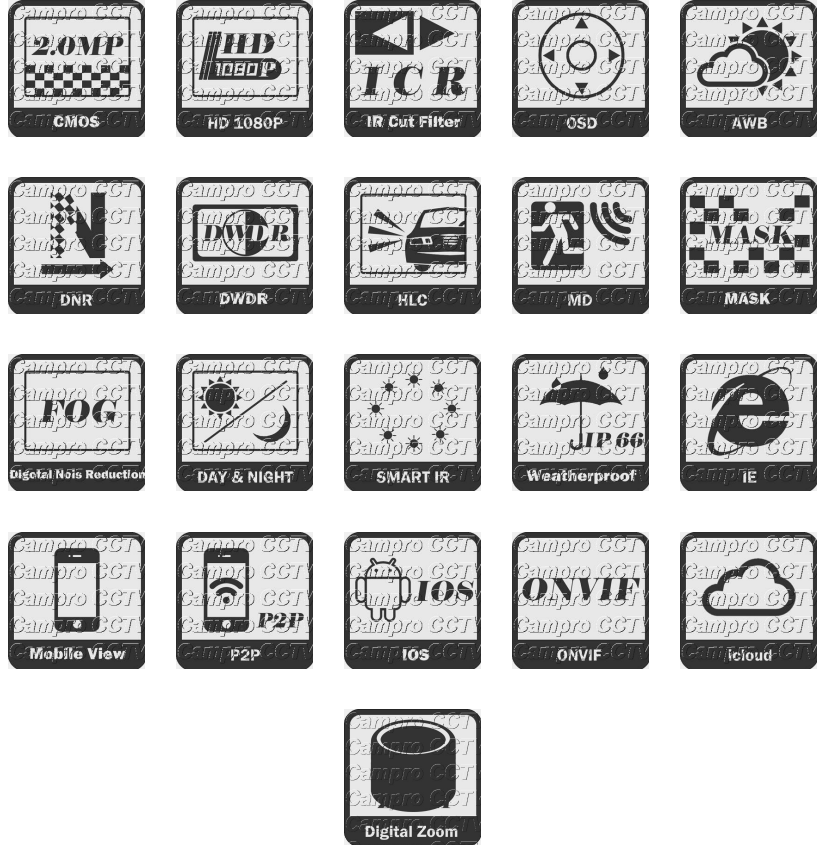
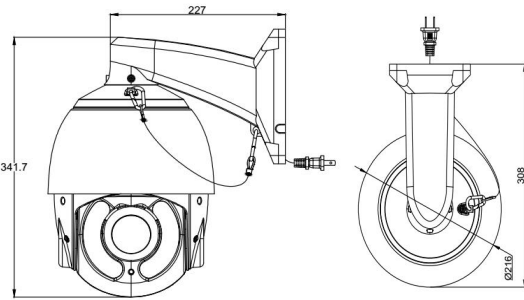


# Campro

## CB-33X-A1520

### 7.0" 33X 2.0MP HD Hybrid 150M IR PTZ



#### CB-33X-A1520

<b>Image Sensor</b>	1/2.9" SONY IMX323-2.0MP Sensor
<b>Effective Pixels</b>	1080P (1920x1080)
<b>Total Pixels</b>	2.0 Mega Pixel
<b>Output Pixel</b>	1920x1080/30fps, 1920x1080/25fps, 1280x960/60fps, 1280x960/50fps
<b>Lens</b>	33X Optical Zoom f=4.6mm(W)~151mm(T) ±5%
<b>Aperture Value</b>	F1.6~F2.7
<b>View of Angle</b>	H : WIDE 54.8°, TELE 3.4°, V : WIDE 41°, TELE 2.5°
<b>Minimum Illumination</b>	Color: 0.1Lux / B/W: 0.01Lux
<b>D/N</b>	IR-Cut
<b>AGC</b>	Auto / Manual
<b>BLC</b>	Auto
<b>White Balance</b>	Indoor / Outdoor / Auto / Manual
<b>2D DNR</b>	Support
<b>Privacy Mask</b>	Support
<b>Signal to Noise Ratio</b>	More than 50 dB
<b>Software Control</b>	IE, CMS, Management Platform
<b>Mobile View (Optional)</b>	Support Windows, Symbian, iPhone Platform Smartphone
<b>Horizontal Rotation Range</b>	360°
<b>Tilt Rotation Range</b>	93°

<b>Horizontal Rotation Speed</b>	0.02-400°
<b>Tilt Rotation Speed</b>	0.02-90°/s
<b>Auto Flip</b>	Horizontal 180°, Vertical 93°
<b>Ratio Speed</b>	Support
<b>Preset Speed</b>	200°/s
<b>A-B Scan</b>	User Programmable
<b>A-B Scan Speed</b>	1-64 Levels Setting Available
<b>Dwell Preset</b>	1-60s Interval Available
<b>Preset Points</b>	220
<b>Guard Tours</b>	8 Groups
<b>Guard Points</b>	Max. 16 Points, Dwell Time user Selectable
<b>PWR On Action</b>	Memory / Pattern 1 / Tour 1 / 360° Scan / A-B Scan / Park 1 / None
<b>Operation Menu</b>	Multiple Languages for OSD Menu
<b>Park Time</b>	0-60 Minutes
<b>Pattern Scan</b>	4pcs
<b>Pattern Scan Record</b>	Max.15 minutes, max.512 commands
<b>Time Scheduling Function</b>	6 Tasks
<b>Auto Control IR LED</b>	PWM
<b>Ambient Light Detection</b>	IR Illumination on 1-9 Grades Selectable
<b>IR LED</b>	8 x $\phi$ 16 Array IR Led
<b>IR Distance</b>	Up to 150M
<b>Communication Protocol</b>	Pelco-D, Pelco-P
<b>Baud Rate</b>	1200 / 2400 / 4800 / 9600bps (Default: 9600bps)
<b>Video Output</b>	AHD / CVBS / CVI / TVI Switchable
<b>Communication Mode</b>	RS-485 (+/-)
<b>Connection</b>	Coaxial Cable
<b>Operating Temp.</b>	Indoor: 0~40°, Outdoor: -40°~+60°
<b>Humidity</b>	≤95% Non Condensing
<b>Heater &amp; Blower</b>	Auto Temperature Control
<b>Power</b>	DC12V ≤ 4A
<b>Power Consumption</b>	< 25W
<b>Lighting Protection</b>	Transient Voltage 6000V
<b>Size / Weight</b>	4.6KG (N.W), 6.2KG (G.W)
<b>Related Validation</b>	IP66
<b>Certification</b>	CE / FCC / RoHS