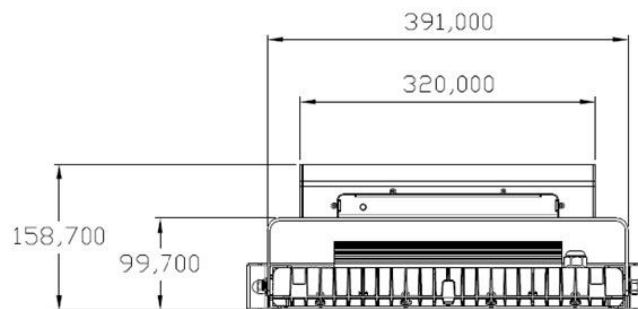
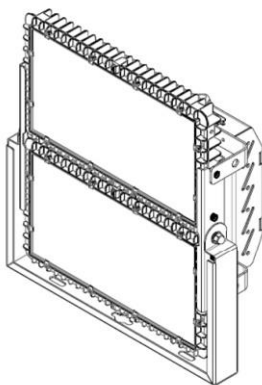
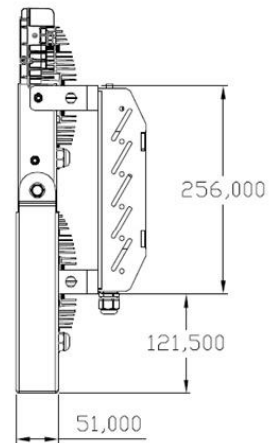
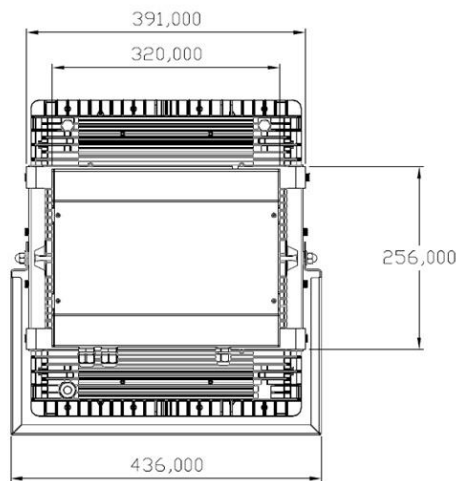
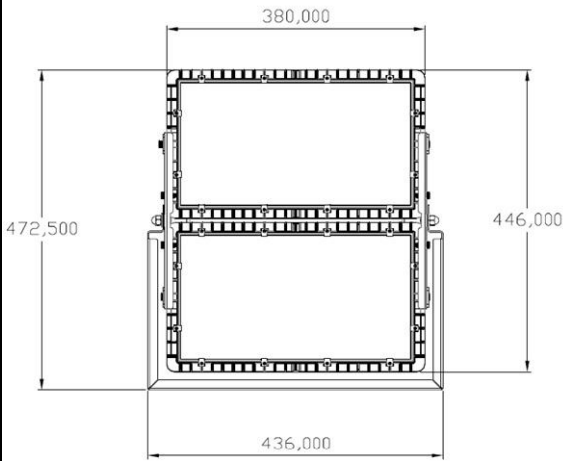
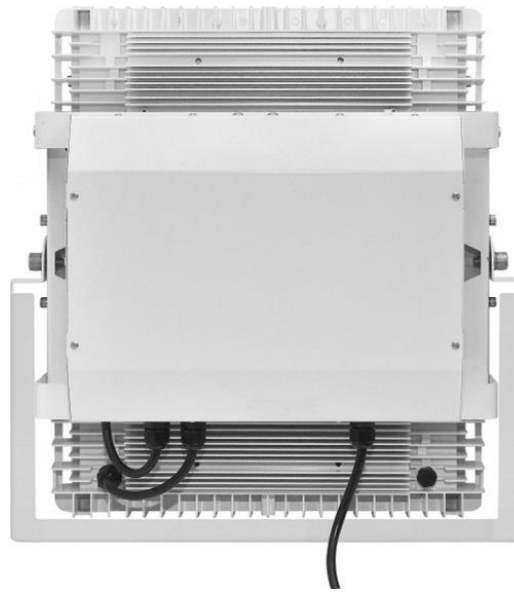






SPECIFICATION

PART NO.:CF1560PL

Twin Series
Flood Light / High Bay
LED Lamp



CF1560PL Professional Series

Model NO.	CF1560PL
System Watts	560W \pm 3%
LED Chip	 NICHIA
CRI	\geq 70
LED nos.	256pcs
Luminous flux (Cool White)	\geq 61,600lm \geq 110 lm/w
Driver	 MeanWell HLG-600H, IP67, AC90~305V, 1-10V Dimmable, PF > 0.98
Driver nos.	X1 Drivers in Driver case, remoable
Optional input	DC 127V~431V
Dimming	1-10V
IP Rating	IP67
Beam Angles	15°/30°/60°/80°/90°/110°, PC Lens(90°/110° special lens)
Front Cover	Tempered proof glass
Weight	14.0~14.4kg (include driver and bracket)
Carton Size	L570*W515*H226 (mm)
Total Weight	15.1kg
Bracket	GF Type:SPHC GC Type:Aluminum, Anti-Vnti-Vibration, Anti-Corrosion
Fixture Painting	Pure White with RHDC coation (Rapid Heat-Dissipation Coating)
Operation Temp.	-40°C ~50°C outdoors only
Life span	\geq 50,000 hrs
Warranty	3 Years
Certification	