

免保養齒輪減速馬達系列 NOISELESS GEAR REDUCER MOTOR SERIES



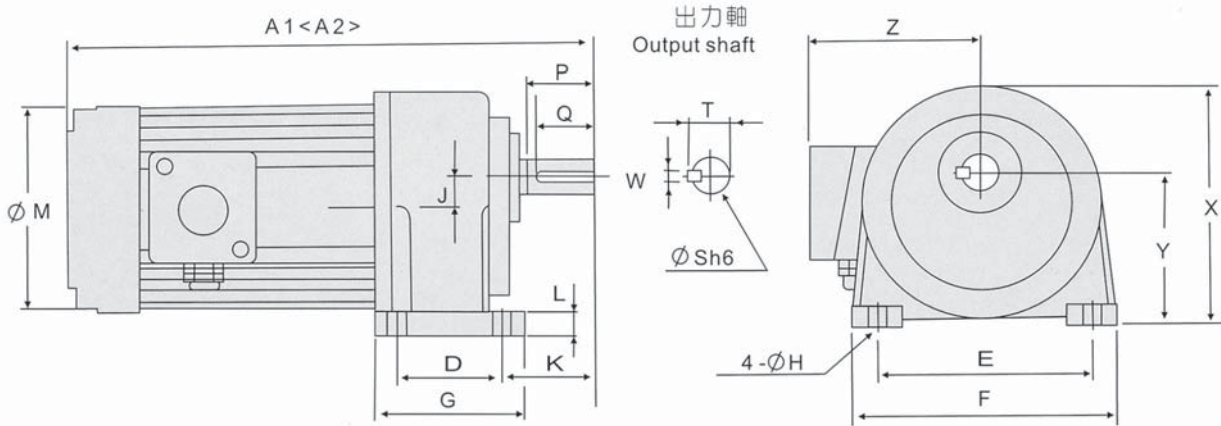
臥式單相 三相齒輪減速馬達 HORIZONTAL GEAR SPEED REDUCER

MODEL : CH

HOW TO ORDER

CH - 22 - 200 - 60 - S - B

剎車<選用> Brake <Optional Function>
 A:單相 110/220V, 50/60Hz 1-Phase
 S:三相 220/380V, 50/60Hz 3-Phase
 減速比 : Gear Ratio 1:60
 馬力<W>:200 Watts 1/4HP
 22:出力軸 22mm
 CH:臥式 Horizontal Type



馬力 HP-4P	型號 Model	減速比 Ratio	A1	A2	D	E	F	G	H	L	J	K	M	X	Y	Z	出力軸 Output Shaft					重量 Weight (kg)
																	P	Q	S	T	W	
75W (1/10HP)	CH18	3-200	245	245	40	110	135	65	9	10	16	48	127	132	88.5	105	30	25	18	20	5	5.2
	CH22	250-1800	355	355	65	130	163	90	11	15	18.2	56	127	152	97.5	105	40	35	22	25	7	6.8
100W (1/8HP)	CH18	3-50	268	265	40	110	135	65	9	10	16	48	127	132	88.5	105	30	25	18	20	5	5.3
	CH22	60-200	285	300	65	130	163	90	11	15	18.2	56	127	152	97.5	105	40	35	22	25	7	6.9
	CH28	250-1800	385	400	90	140	180	120	11	15	20.8	66	127	180	116	105	45	40	28	31	7	13
200W (1/4HP)	CH18	3-10	272	285	40	110	135	65	9	10	16	48	127	132	88.5	105	30	25	18	20	5	6.7
	CH22	15-90	306	320	65	130	163	90	11	15	18.2	56	127	152	97.5	105	40	35	22	25	7	8.6
	CH28	100-200	330	350	90	140	180	120	11	15	20.8	66	127	180	116	105	45	40	28	31	7	11
400W (1/2HP)	CH32	250-1800	475	485	130	170	215	160	13	20	30.2	76	127	210	138.5	105	55	50	32	35.5	10	28
	CH22	3-10	323	340	65	130	163	90	11	15	18.2	56	127	152	97.5	105	40	35	22	25	7	11
	CH28	15-90	350	370	90	140	180	120	11	15	20.8	66	127	180	116	105	45	40	28	31	7	14
750W (1HP)	CH32	100-200	385	405	130	170	215	160	13	20	30.2	76	127	210	138.5	105	55	50	32	35.5	10	26
	CH40	250-1800	525	545	150	210	260	185	15	23	42.2	85	127	248	160	105	65	60	40	43.5	10	41
	CH28	3-25	361	390	90	140	180	120	11	15	20.8	66	168	180	116	125	45	40	28	31	7	15
1500W (2HP)	CH32	30-120	401	425	130	170	215	160	13	20	30.2	76	168	210	138.5	125	55	50	32	35.5	10	28
	CH40	125-200	420	455	150	210	260	185	15	23	42.2	85	168	248	160	125	65	60	40	43.5	10	42
	CH50	250-1800	580	615	170	265	330	220	19	25	51.4	109	168	315	200	125	80	75	50	54	14	50
2200W (3HP)	CH32	3-30	440	480	130	170	215	160	13	20	30.2	76	190	210	138.5	145	55	50	32	35.5	10	34
	CH40	40-120	482	510	150	210	260	185	15	23	42.2	85	190	248	160	145	65	60	40	43.5	10	47
	CH50	125-180	515	555	170	265	330	220	19	25	51.4	109	190	315	200	145	80	75	50	54	14	52
3700W (5HP)	CH40	3-60	485	-	150	210	260	185	15	23	42.2	85	215	248	160	160	65	60	40	43.5	10	48
	CH50	70-120	530	-	170	265	330	220	19	25	51.4	109	215	315	200	160	80	75	50	54	14	55
3700W (5HP)	CH40	3-25	500	-	150	210	260	185	15	23	42.2	85	215	248	160	160	65	60	40	43.5	10	50
	CH50	30-120	548	-	170	265	330	220	19	25	51.4	109	215	315	200	160	80	75	50	54	14	57

※A1:三相馬達尺寸 3-Phase Motor
 ※A2:單相馬達尺寸 1-Phase Motor