

Main Specifications

- ▼ **Size**
3" , 4" , 5" , 6"
- ▼ **Window**
Tempered glass
With O-ring sealed
- ▼ **Process connection**
Material: SS 304
With O-ring sealed
Size: 1/4" , 3/8" , 1/2" , 3/4" , 1"
Type: BSPT, NPT, PF
- ▼ **Stem**
Material: SS 304
Outer diameter 1/4" (6.35mm)
Minimum length: 2.5"
Maximum length: 80"
(63.5mm ~ 2032mm)
- ▼ **Temperature range**
Min.: -50°C
Max.: +600°C
- ▼ **Applicable fluid**
Liquid and gas that compatible with SS 304
- ▼ **Working environment**
Head temperature should not over 90°C
Stem cannot continually expose to:
operating temperature over 1/2 full scale or 400°C
(Install a thermowell is recommended)
- ▼ **Protection level**
IP 54

Other Specifications

- ▼ **Ring**
Stainless steel
Outside bayonet
- ▼ **Back housing**
SS 304
External adjustable screw
(Flathead, hex head)
- ▼ **Pointer**
Aluminum with black enamel
- ▼ **Dial face**
Red and black scale
Blue and black scale
- ▼ **Measuring elements**
Bi-metal
Temperature sensing length:
stem end 2" ~4"
- ▼ **Temperature accuracy**
1.5%
- ▼ **Operating temperature**
Stabilization: 3/4* full scale
Short-time: 1* full scale

Bi-metal Thermometer
(Outside Bayonet,
Lower Mount Type)
Model: BTI



Features

- OEM service
- All stainless steel design
- Full scale accuracy within 1.5%
- Custom stem length
- External adjustable screw

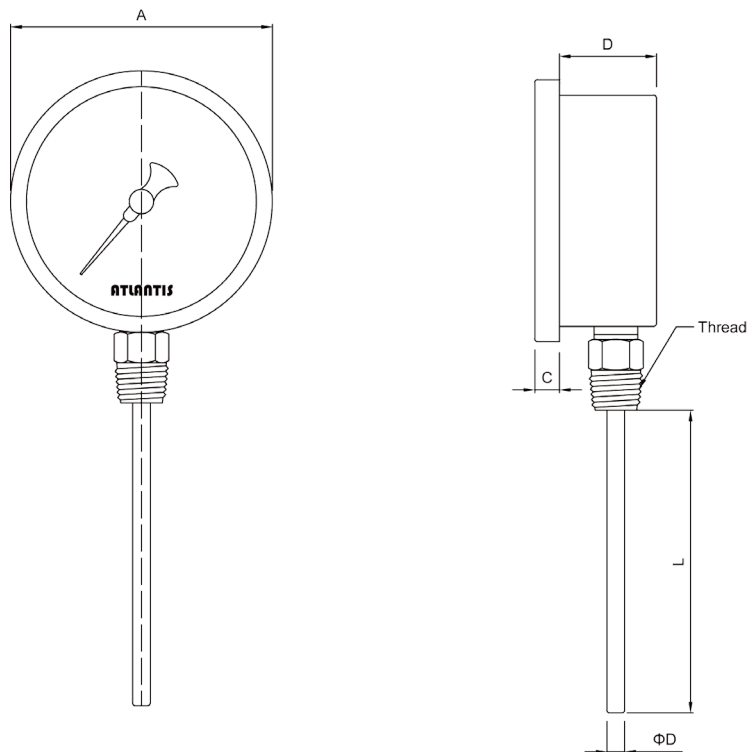
Due to the variety of customization, the picture is only for reference, please confirm the actual item with our sales. (If there is any change on specification, please take the latest version as standard.)

How to order

<u>BTI</u>	<u>3"</u>		<u>4</u>		<u>P</u>	<u>-5...50°C</u>	<u>2.5"</u>	<u>6.35 mm</u>
Model	Size	Code	Thread size	Code	Thread type	Temperature range	Stem Length	Outer diameter
BTI	3"	0	None	P	BSPT	-50...600°C	2.5"	6.35 mm
	4"	2	1/4"	N	NPT	Others	4"	8 mm
	5"	3	3/8"	F	PF	(please specify)	6"	9.5 mm
	6"	4	1/2"				9"	12 mm
		6	3/4"				12"	
		8	1"				...80"	

Ordering example: BTI - 3" - 4 - P - (-5...50°C) - 2.5" - 6.35 mm

Dimension



Other requests:

- Inspection report (issued by Re-Atlantis)
- Silicone sealing IP67
- Customized dial face (scale, color, etc.)
- Adjustable threaded rods
- Thermowell
- Special pointer: knife edge pointer
- O-ring material (for sealing window):
rubber(standard), silicone rubber
- Remove external adjustable screw
- Anti-sway pointer:
Yes (standard) / No (higher sensitivity)
- Tag
- Stem material: SS 316
- Back housing material: SS 316
- Third party notarized document
- Safety glass (only available for diameter > 4")
- Concave panel (for easier observing)
- Minimum length (exclude thread): 35 mm
(200~300°C)
- Accuracy: 1%