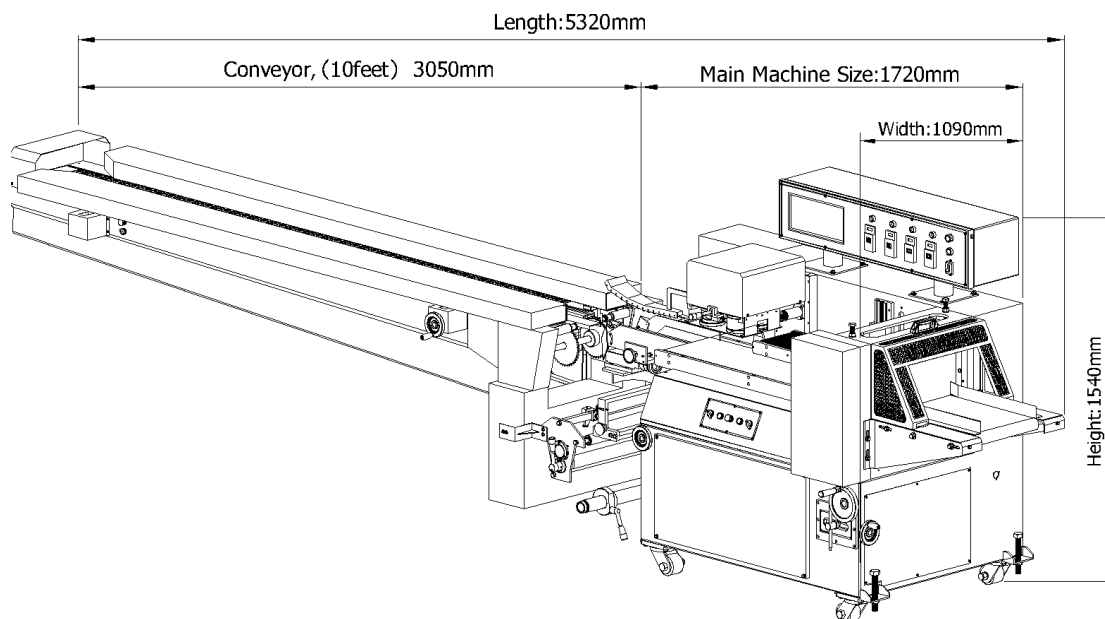


Tai Dragon Wrapping Machinery Co., LTD

TD-600ESC Top Seal Auto Wrapping Machine



Specification :

| | |
|-------------------------------------|---|
| Machine size | 532*109*154 cm (Length* Width* Height) |
| Net Weight (N.W.Kg) | 1650 |
| Gross Weight (G.W.Kg) | 1950 |
| Voltage (V) | 220 |
| Main Motor (HP) | 3 |
| Electric Heater (KW) | 2.4KW 220V |
| Control System | HCI Smart Face Panel |
| Frequency (HZ) | 60 |
| Safety Device | Emergency Stop Button |
| Sealing Mode | Continuous sealing with heated crimp wheel and straight bar end seal |
| Sealing Structure | Adjustable rotating end seal bars |
| Sealing Style | Former, controls film & Heat melt |
| Feeding Method | In feed conveyor with pusher arms |
| Discharge Method | Rubber belt conveyor |
| Sealing Sides | Three sides sealing |
| Packing Speed (Bags/min) | 35 (Depending on packing size and material) |
| Max. Width of Packing Material (mm) | 700 |
| Max. Packing Size (mm) | Length Decided By Sensing System x 250 x 110 (L*W*H) |
| Min. Packing Size (mm) | 200 x 75 x 15 (L*W*H) |



Office: NO.28, Kuang Ming W. Rd., NanShi Village, Wu Feng District, Taichung, Taiwan.
Tel: +886-4-2339-8536 Fax: +886-4-2333-1399