

A12025

120x120x25mm(4.7"x4.7"x1")



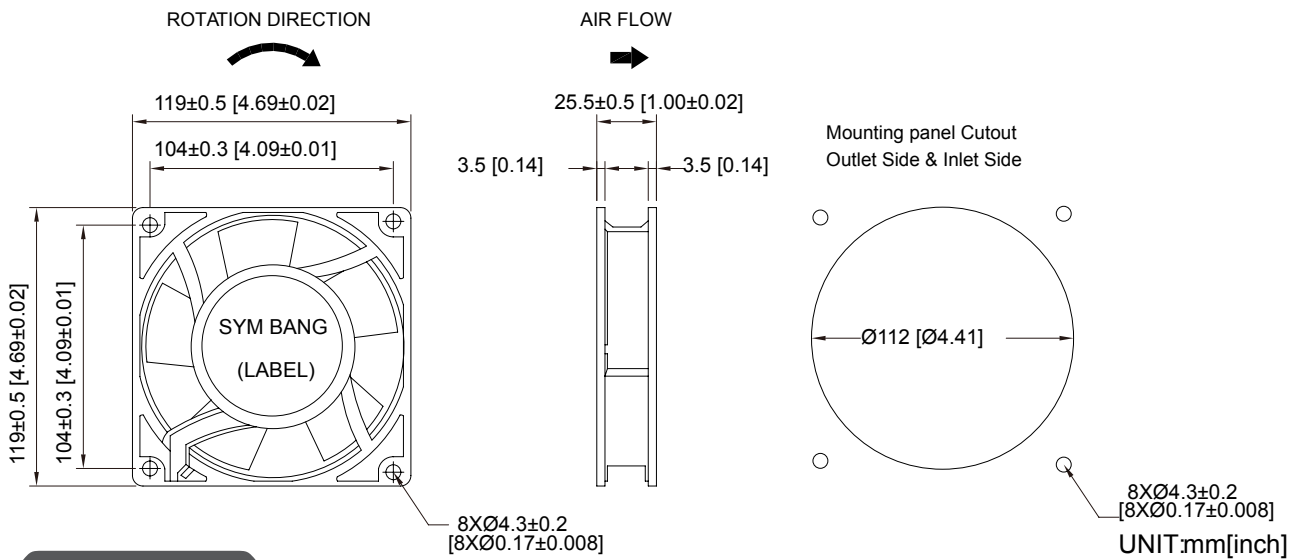
HOUSING Aluminum Die Casting, Painted Black
IMPELLER Thermoplastic PBT, UL94V-0
BEARING Ball or Sleeve
MOTOR TYPE Shaded Pole Motor
TERMINATION Terminals or Lead Wire
OPERATING VOLTAGE RANGE 85 VAC to 125 VAC for 115V Type
 185 VAC to 245 VAC for 230V Type

DIELECTRIC STRENGTH 1,500 VAC for 1 second
INSULATION Class A
INSULATION RESISTANCE 10M Ω min. @500VDC
OPERATING TEMPERATURE -10°C to +70°C
SAFETY Impedance Protected
WEIGHT 346g
ROHS COMPLIANCE Yes
ADDITIONAL FUNCTION FG, RD
IP LEVEL IP21 (Special IP Rating On Request)

120mm

120mm

DIMENSION



SPECIFICATION

MODEL NO.	RATED VOLTAGE (V)	FREQUENCY (Hz)	RATED CURRENT (A)	INPUT POWER (W)	SPEED (RPM)	MAX. AIR PRESSURE inH ₂ O mmH ₂ O	MAX. AIR FLOW CFM m ³ /min	NOISE dB(A) @1M
A12025V1H	115	50/60	0.15/0.12	13/10	2600/3000	0.22/0.25 5.59/6.35	61/72 1.8/2.0	42/45
A12025V2H	230	50/60	0.07/0.06	13/10	2600/3000	0.22/0.25 5.59/6.35	61/72 1.8/2.0	42/45

AIR PERFORMANCE

