



# HUSP-1C/HUSP-2C

2 Phase Stepping Motor Driver

5 Phase Stepping Motor Driver

DC Motor Speed Controller Pack

AC Motor Speed Controller

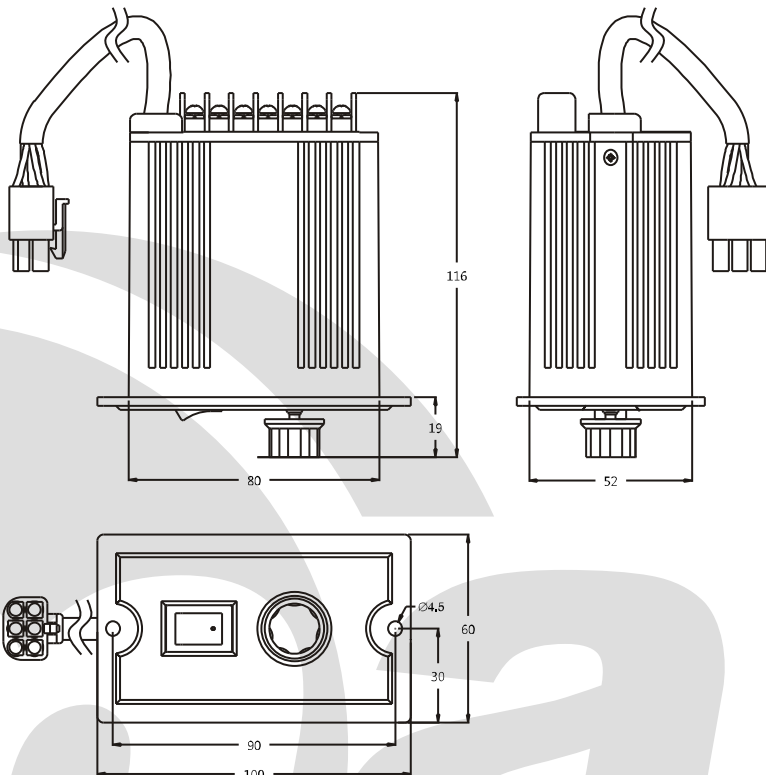
Parts Feeder Voltage Regulator



## ► Dimensions

## ► Features

- Externally exposed AC motor speed controller with fashionable looks.
- Standard installation dimension, Capacitor 60W (inclusive) or below.
- Customer watt capacity available (90W(inclusive) below)
- Compatible with AC motors made by various makers.



### HUSP-1C

Signal phase 110V±10% 50/60Hz  
Output watt capacity available: 6W~90W

### HUSP-2C

Signal phase 220V±10% 50/60Hz  
Output watt capacity available: 6W~90W

## ► Specifications

- Power input: AC 110V±10%, 50/60 Hz or AC 220V±10%, 50/60 Hz
- Adjusting speed range: 50Hz: 90~1400r/min  
60Hz: 90~1600r/min
- Speed: Speed out
- Ambient temperature: 0~+40°C
- Ambient moisture: <85%RH
- Dimension (mm): 113(L) x 100(W) x 52(H)
- Weight: 350g