

A12038

120x120x38mm(4.7"x4.7"x1.5")

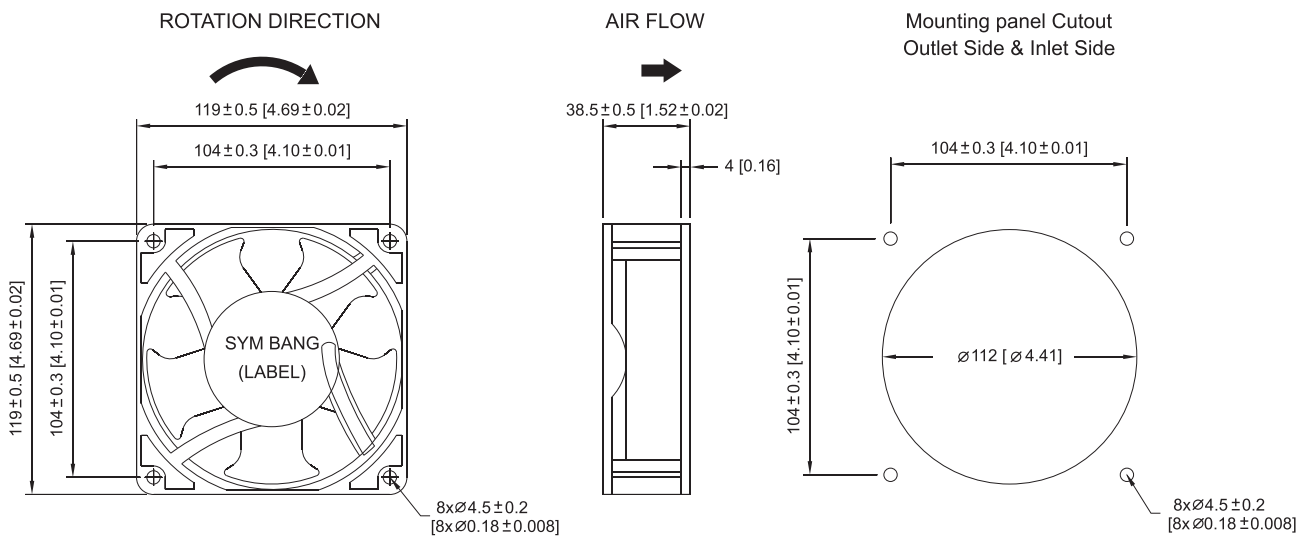


HOUSING Aluminum Die Casting, Painted Black
 IMPELLER Thermoplastic PBT, UL94V-0
 BEARING Ball or Sleeve
 MOTOR TYPE Shaded Pole Motor
 TERMINATION Terminals or Lead Wire
 OPERATING VOLTAGE RANGE 85 VAC to 125 VAC for 115V Type
 185 VAC to 245 VAC for 230V Type
 DIELECTRIC STRENGTH 1,500 VAC for 1 second
 INSULATION Class A
 INSULATION RESISTANCE 10M Ω min. @500VDC
 OPERATING TEMPERATURE -10°C to +70°C
 SAFETY Impedance Protected
 WEIGHT 515g
 ROHS COMPLIANCE Yes
 ADDITIONAL FUNCTION FG, RD
 IP LEVEL IP21 (Special IP Rating On Request)

120mm

120mm

DIMENSION



UNIT:mm[inch]

SPECIFICATION

MODEL NO.	RATED VOLTAGE (V)	FREQUENCY (Hz)	RATED CURRENT (A)	INPUT POWER (W)	SPEED (RPM)	MAX. AIR PRESSURE		MAX. AIR FLOW		NOISE dB(A) @1M
						inchH ₂ O	mmH ₂ O	CFM	m ³ /min	
A12038V1H	115	50/60	0.26/0.21	20/16	2650/3100	0.24/0.21	6.18/5.36	85/97	2.4/2.8	44/48
A12038V1M	115	50/60	0.14/0.13	11/11	2700/2450	0.21/0.08	5.33/2.14	83/81	2.3/2.2	43/42
A12038V1L	115	50/60	0.13/0.11	11/10	1900/2300	0.11/0.08	2.79/2.06	61/64	1.7/1.8	34/35
A12038V1XL	115	50/60	0.08/0.07	7/ 6	1850/1700	0.09/0.06	2.29/1.60	61/56	1.7/1.5	34/33
A12038V2H	230	50/60	0.13/0.10	20/16	2650/3100	0.24/0.21	6.18/5.36	85/97	2.4/2.8	44/48
A12038V2M	230	50/60	0.07/0.06	12/11	2700/2450	0.21/0.06	5.33/2.14	83/81	2.3/2.2	43/42
A12038V2L	230	50/60	0.07/0.06	12/10	1900/2300	0.11/0.08	2.79/2.08	61/64	1.7/1.8	34/35
A12038V2XL	230	50/60	0.05/0.04	9/ 8	1850/1700	0.09/0.06	2.29/1.60	59/59	1.6/1.6	33/33

AIR PERFORMANCE

