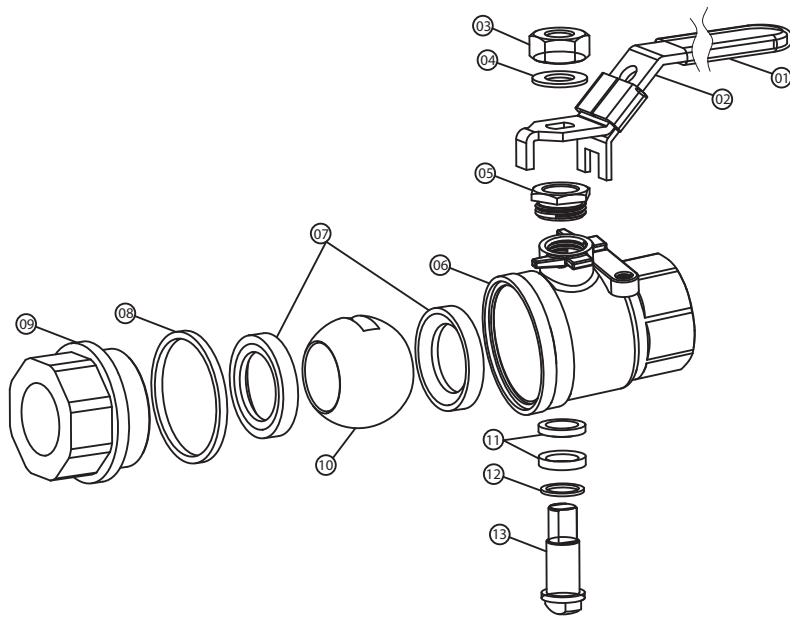


**1000 WOG 2-pc full  
port threaded ball  
valve**

**TF-2ET,  
SF-2ET**



**Specification**

- ✦ Size range: ¼"~3"
- ✦ Rating: 1000 psi W.O.G
- ✦ Construction: Two-piece body, with floating ball design
- ✦ Flow bore: Full port

**Product features**

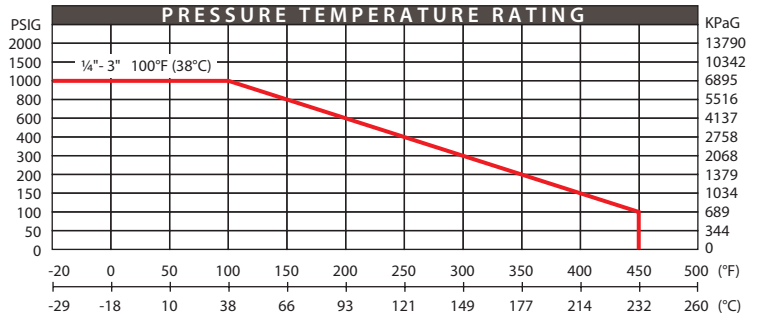
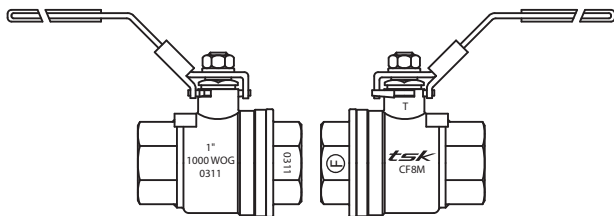
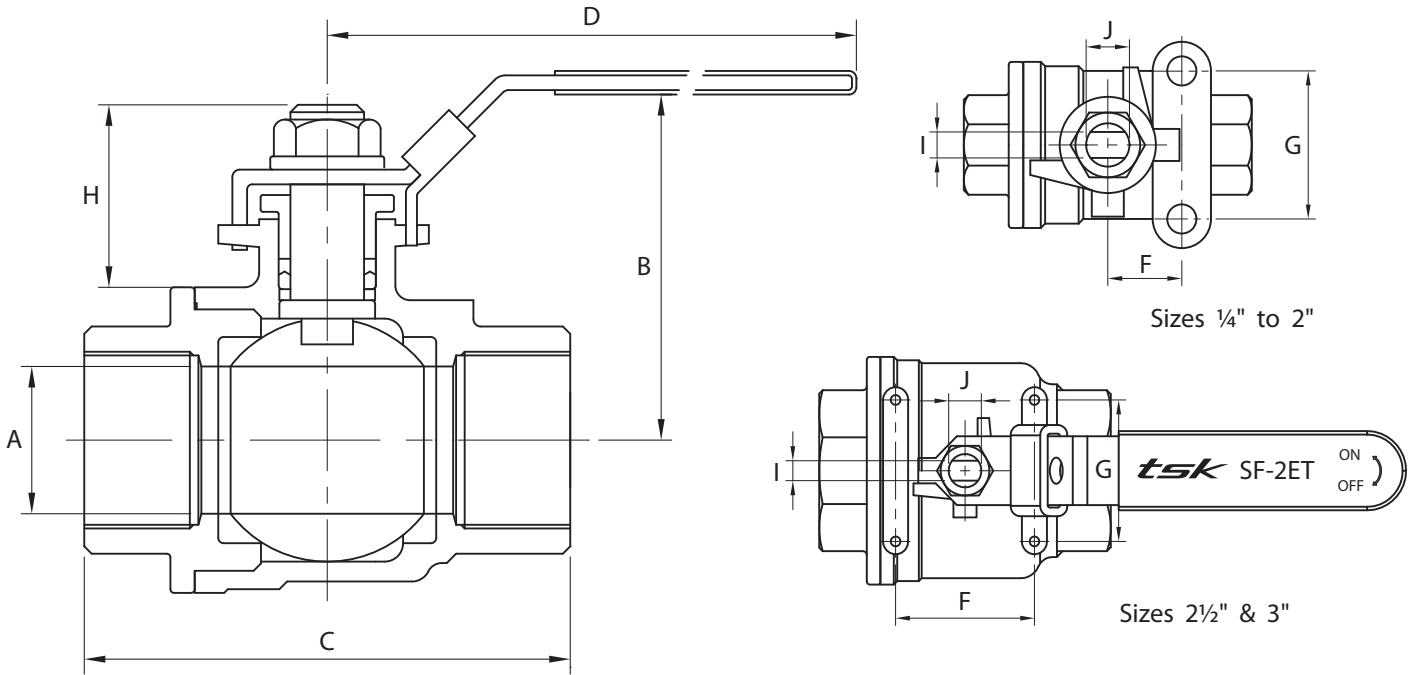
- ✦ NPT connection according to ANSI B1.20.1
- ✦ Blowout-proof stem
- ✦ Mounting pad to actuator available
- ✦ Adjustable packing gland
- ✦ Locking lever handle
- ✦ Oval handles available with sizes from ¼" to 2"
- ✦ "Light-duty" type for use in residential and commercial applications with more competitive price available

**Material list**

No.	Part name	Material		Qty
1	Handle grip	Vinyl		1
2	Handle	Stainless steel 304 / A276		1
3	Handle nut	Stainless steel 304 / A276		1
4	Stem washer	Stainless steel 304 / A276		1
5	Gland nut	Carbon steel A108	Stainless steel 304 / A276	1
6	Body	A216 Gr. WCB	Stainless steel A351 Gr. CF8M	1
7	Seat	Reinforced Teflon 15% GFT		2
8	Gasket	PTFE		1
9	Cap	A216 Gr. WCB	Stainless steel A351 Gr. CF8M	1
10	Ball	Stainless steel A351 Gr. CF8	Stainless steel A351 Gr. CF8M	1
11	Packing	PTFE		1
12	Thrust washer	Reinforced Teflon 15% GFT		1
13	Stem	Stainless steel 304 / A276	Stainless steel 316 / A276	1

**1000 WOG 2-pc full port threaded ball valve**

**TF-2ET,  
SF-2ET**



DIMENSIONS										
Size	8	10	15	20	25	32	40	50	65	80
mm/in	¼	¾	½	¾	1	1¼	1½	2	2½	3
A	9.6	9.6	12.7	20.0	24.0	31.8	38.1	50.0	65.0	78.0
mm/in	0.378	0.378	0.500	0.787	0.945	1.252	1.50	1.968	2.559	3.071
B	54.0	54.0	54.6	64.8	67.8	79.4	84.4	100.7	135.0	145.00
mm/in	2.126	2.126	2.150	2.551	2.669	3.126	3.323	3.965	5.315	5.709
C	49.50	49.50	55.50	66.0	77.50	90.50	102.50	118.00	151.00	171.00
mm/in	1.949	1.949	2.185	2.598	3.051	3.563	4.035	4.646	5.945	6.732
D	98.0	98.0	98.0	122.0	122.0	152.0	152.0	178.0	247.0	247.0
mm/in	3.858	3.858	3.858	4.803	4.803	5.984	5.984	7.008	9.724	9.724
F	12.7	12.7	12.7	14.9	14.9	17.7	17.7	23.6	72.1	72.1
mm/in	0.500	0.500	0.500	0.587	0.587	0.697	0.697	0.929	2.839	2.839
G	25.4	25.4	25.4	29.7	29.7	35.4	35.4	49.5	72.1	72.1
mm/in	1.000	1.000	1.000	1.169	1.169	1.394	1.394	1.949	2.839	2.839
H	23.5	23.5	23.0	26.5	27.5	31.0	31.0	37.0	43.0	43.0
mm/in	0.925	0.925	0.906	1.043	1.083	1.220	1.220	1.457	1.693	1.693
I	5.5	5.5	5.5	6.5	6.5	8.0	8.0	9.9	12.0	12.0
mm/in	0.217	0.217	0.217	0.256	0.256	0.315	0.315	0.390	0.472	0.472
J	8.0	8.0	8.0	8.0	8.0	10.0	10.0	12.0	18.0	18.0
mm/in	0.315	0.315	0.315	0.315	0.315	0.394	0.394	0.472	0.709	0.709
CV	7.0	7.0	15.0	45.0	65.0	125.0	175.0	380.0	500.0	900.0