



www.pumps.com.tw

ADVS series

**All Cast-iron Sewage pump
High Volume, Non-Clogging , 2 Poles Motor**

Liquid temperature : 0 °C to 40 °C / +32 °F to +104 °F

HP range : 1 to 5 HP / 0.75 kW to 3.7 kW

pH : 6 to 8

Protection class : IP68

Maximum immersion depth : 8M

Solid pass : 33~55mm



Waste water applications containing soft or fibrous solids.



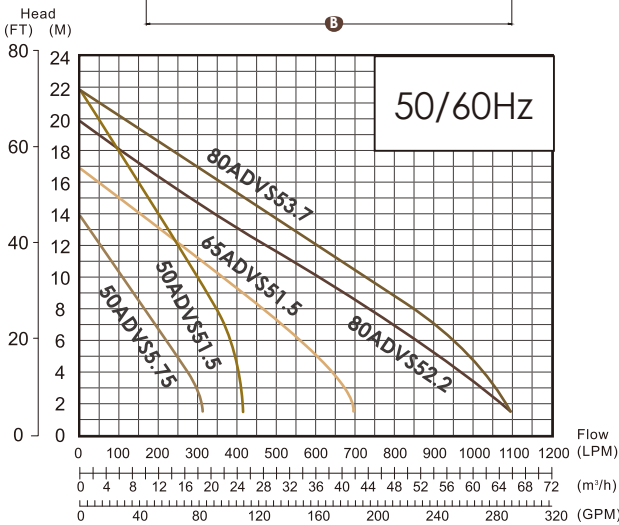
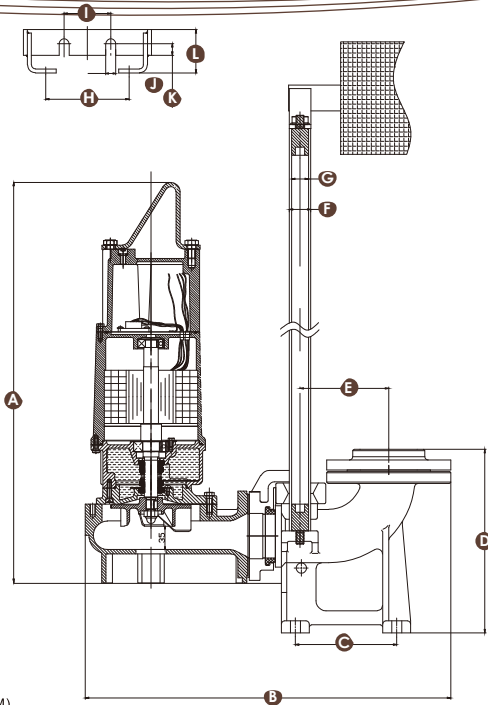
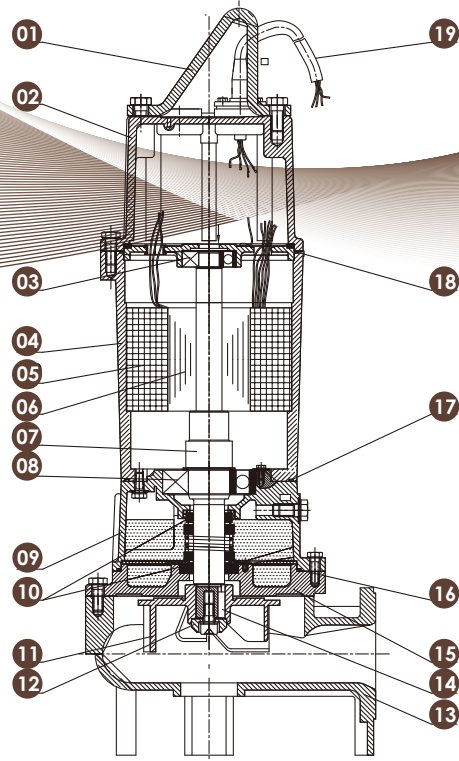
Industrial Waste Water Drainage



Septic effluent

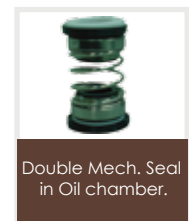
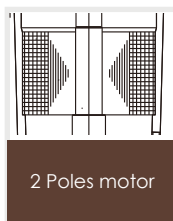
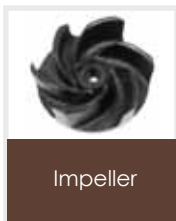
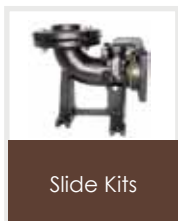
HUNG PUMP GROUP

Sewage Pumps



Construction					
No.	Description	Material	No.	Description	Material
1	Handel	STEEL PLATED	11	Impeller	FC200
2	Top Cover	FC200	12	Spacer	SUS304
3	Bearing		13	Pump Casing	FC200
4	Motor Housing	FC200	14	Key	SUS304
5	Stator	LAMINATED STEEL	15	Seal Plate	FC200
6	Rotor	LAMINATED STEEL	16	O-ring	NBR
7	Shaft	SUS410	17	O-ring	NBR
8	Bearing		18	O-ring	NBR
9	Bearing Seat	FC200	19	Power Cable	
10	Mechanical Seal	CA/CE-SIC/SIC-NBR			

Dimension												
Model	A	B	C	D	E	F	G	H	I	J	K	L
	mm	mm	mm	mm	mm	mm	mm	mm	mm	mm	mm	mm
50ADVS5.75	400	271										
50ADVS51.5	625	521	152	275	133	32	25.4	125	70	15	17.5	65
65ADVS51.5	675	548	152	275	133	32	25.4	125	70	15	17.5	65
80ADVS52.2	770	583	152	275	133	32	25.4	125	70	15	17.5	65
80ADVS53.7	770	583	152	275	133	32	25.4	125	70	15	17.5	65



Specifications														
Model No.	Output		Outlet		Solid Pass Dia(mm)	Max Flow (LPM)	LPM Flow @ Head					Max Head (M)	Dimension L x W x H(mm)	Weight Kg
	HP	kW	mm	inch			3M	6M	9M	12M	15M			
50ADVS5.75	1	0.75	50	2"	33	320	300	230	140	55	-	14	271 x 218 x 400	21
50ADVS51.5	2	1.5	50	2"	31	420	415	390	330	250	170	22	271 x 218 x 443	30
65ADVS51.5	2	1.5	65	2.5"	45	700	680	560	420	250	90	17	398 x 244 x 600	46
80ADVS52.2	3	2.2	80	3"	50	1100	1020	860	680	480	280	20	449 x 281 x 723	64
80ADVS53.7	5	3.7	80	3"	55	1100	1060	960	800	600	420	22	449 x 281 x 723	68