

Formosa Audiomate Ltd.

LD-2304K (300W x 2CH digital power amplifier)

A. Introduction

LD-2304K is digital power amplifier & switching power supply module and with advantages as bellows:

- Class-D and switching power Design for high efficiency, high stability & lighter weight.
- Output power 300Wx2CH/4ohm (200Wx2CH/8ohm or 600W BTL/8ohm)
- Can be mounted into 1U rack
- Easy for application

B. Image



C. Application

- Integrated amplifier solution
- Active speakers
- Musical instruments amplifiers
- Combo Amplifier
- Powered professional speakers
- Monitor speaker
- Karaoke Amplifier

* LD-2304K needs extra heat sink. Or mounted into aluminum plate as an active amp.

Web site: [Http://www.formosa-audio.com](http://www.formosa-audio.com)
TEL: 886-2-3234 1012 **FAX:** 886-2-3234 7349
E-mail: cathy@formosa-audio.com

Nov. 2, 2011

Formosa Audiomate Ltd.

E. Features

- AC Input jumper selection 115V / 230V
- Short circuit protection
- Over current protection
- Over voltage protection
- Thermal protection
- Output DC protect
- Safety pre-approved
- EMC pre-approved
- RoHS compliant
- Phase : inverter (-180°)

D. Specification

1. Output power @ THD 1%

	SE-2CH/8Ohm	SE-2CH/ 4Ohm	BTL -8Ohm
LD-2304K	200W _{rms}	300W _{rms}	600W _{rms}

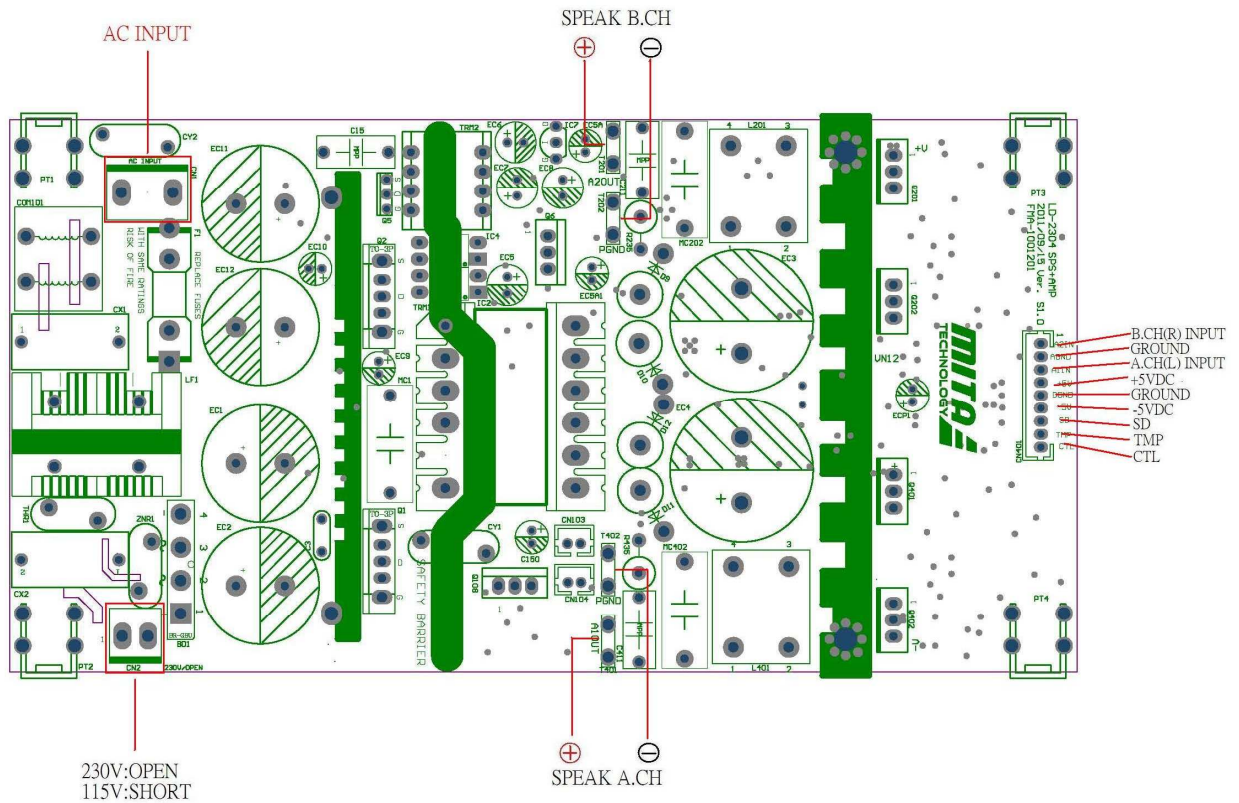
2. S/N Ratio @ rated power > 100 dB @ A-WEI
3. THD @ -3dB rated power < 0.05%
4. Input sensitivity 1.8V
5. Input Impedance 22K Ω
6. dimension: 108(L) x 164(W) x 41(H) mm
7. package: 20 pcs/carton
8. N.W.: 550g.

Web site: [Http://www.formosa-audio.com](http://www.formosa-audio.com)
TEL: 886-2-3234 1012 **FAX:** 886-2-3234 7349
E-mail: cathy@formosa-audio.com

Nov. 2, 2011

Formosa Audiomate Ltd.

F. Pin Assignment



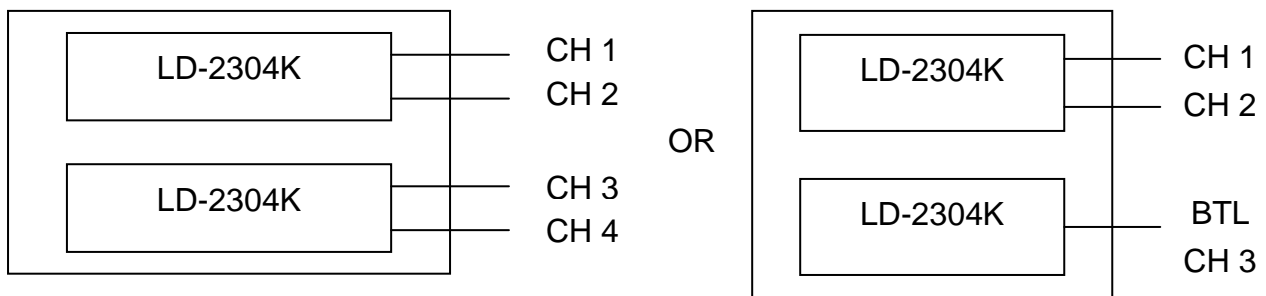
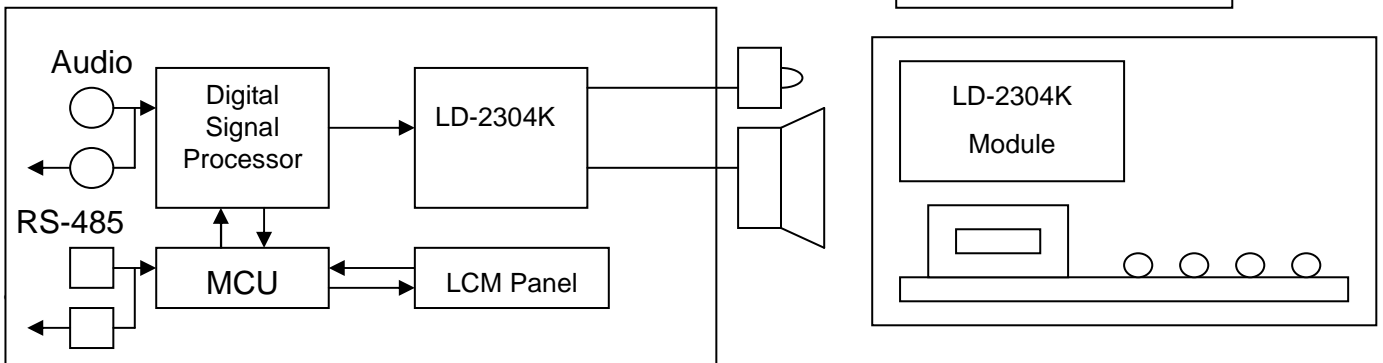
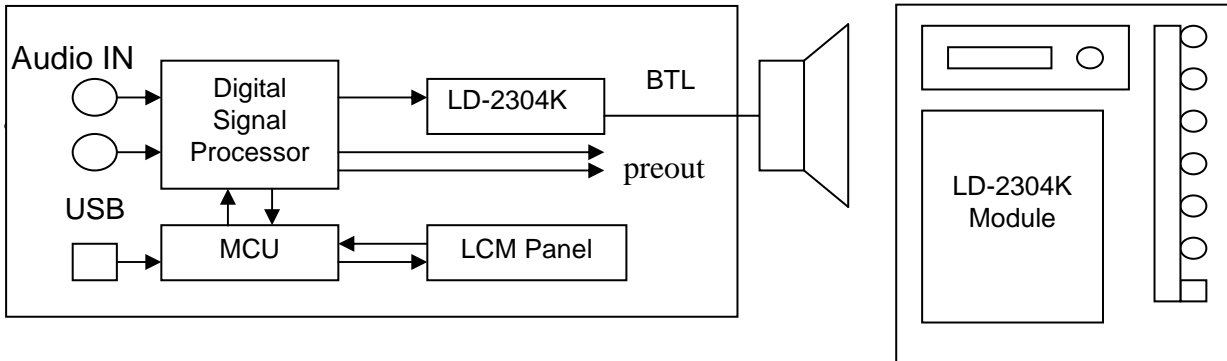
Web site: [Http://www.formosa-audio.com](http://www.formosa-audio.com)
 TEL: 886-2-3234 1012 FAX: 886-2-3234 7349
 E-mail: cathy@formosa-audio.com

Nov. 2, 2011

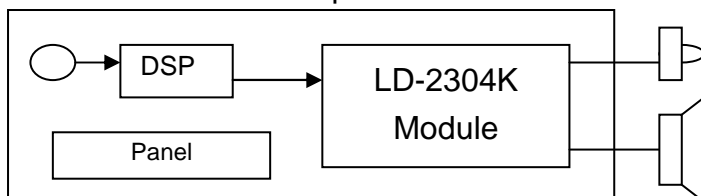
Formosa Audiomate Ltd.

G. Real Case

- 600W Subwoofer DSP Speaker (GUI Software)



- 200Wx2CH Monitor Speaker



Web site: [Http://www.formosa-audio.com](http://www.formosa-audio.com)
TEL: 886-2-3234 1012 **FAX:** 886-2-3234 7349
E-mail: cathy@formosa-audio.com

Nov. 2, 2011