



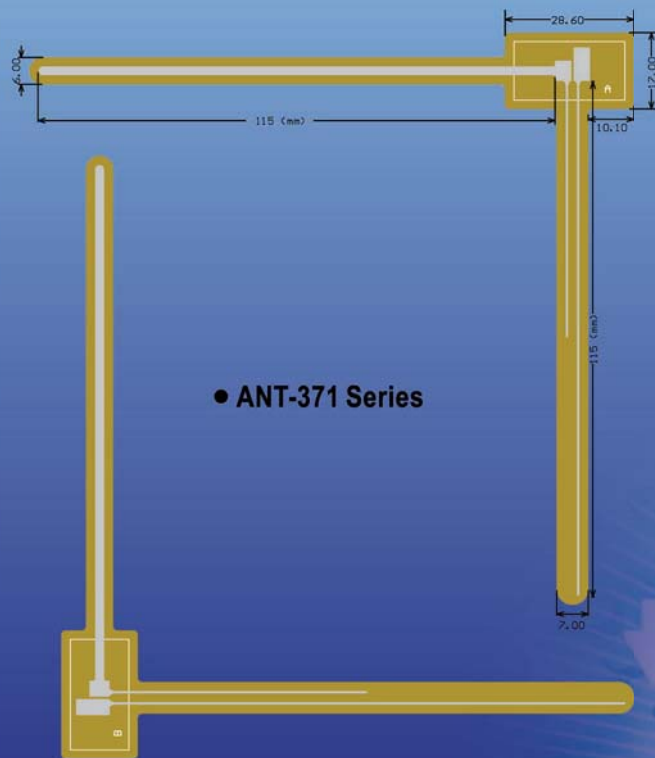
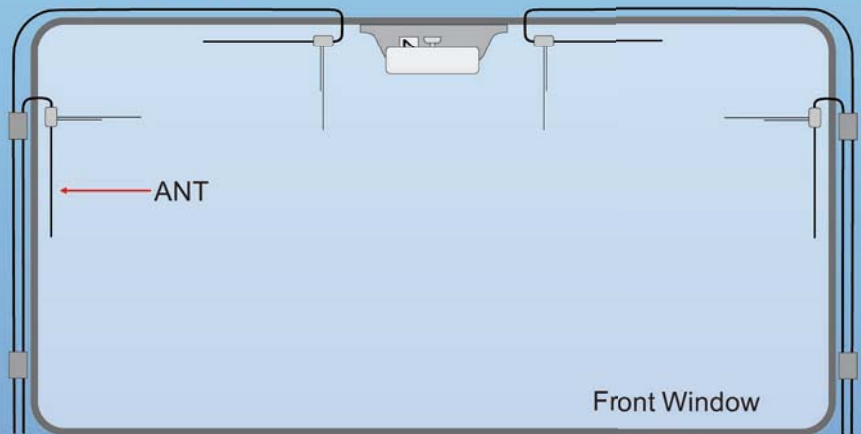
CAR ACTIVE ANTENNA

20dB
Gain

TRANSPARENT FILM TYPE ACTIVE TV ANTENNA



Installation:



ANT-371F

Active Antenna

1. Application

Active antenna with built in RF amplifier for digital TV

2. Specifications

- 2-1. Impedance 50/75 Ohm Typ.
- 2-2. Receiving frequency range UHF 470~770MHz
- 2-3. Supply voltage DC 5V +/- 10% From Tuner
- 2-4. Current consumption 5V in 35mA Max.
- 2-5. Operation assurance temp. range -20 °C~ +60 °C
- 2-6. Storage assurance temp. range -40 °C~ +85 °C
- 2-7. V.S.W.R. < 1.2
- 2-8. Gain TYP. 20dB Min. 18dB
- 2-9. Coaxial cable L=5.0M
- 2-10. Connector F plug



大吉國際有限公司
嘉冠科技(深圳)有限公司
RICHVIEW INTERNATIONAL CO., LTD
<http://www.rich-view.com>

台北公司: 235新台北中和區立德街125號6樓
6F, No. 125, LiDe St, Zhonghe Dist., New Taipei City, Taiwan
Tel: +886-2-2222-2823 Fax: +886-2-2222-2890

深圳公司: 廣東省深圳市福田區華強北路深紡大廈B座16樓1606-1610
1606-1610, 16/F, Blcok B, Shenfang Building, Huaqiang North Rd, Futian District,
Shenzhen, China
Tel: +86-0755-83574512 Fax: +86-0755-83574513