

A

B

C

D

E

F

G

H

1

2

3

4

5

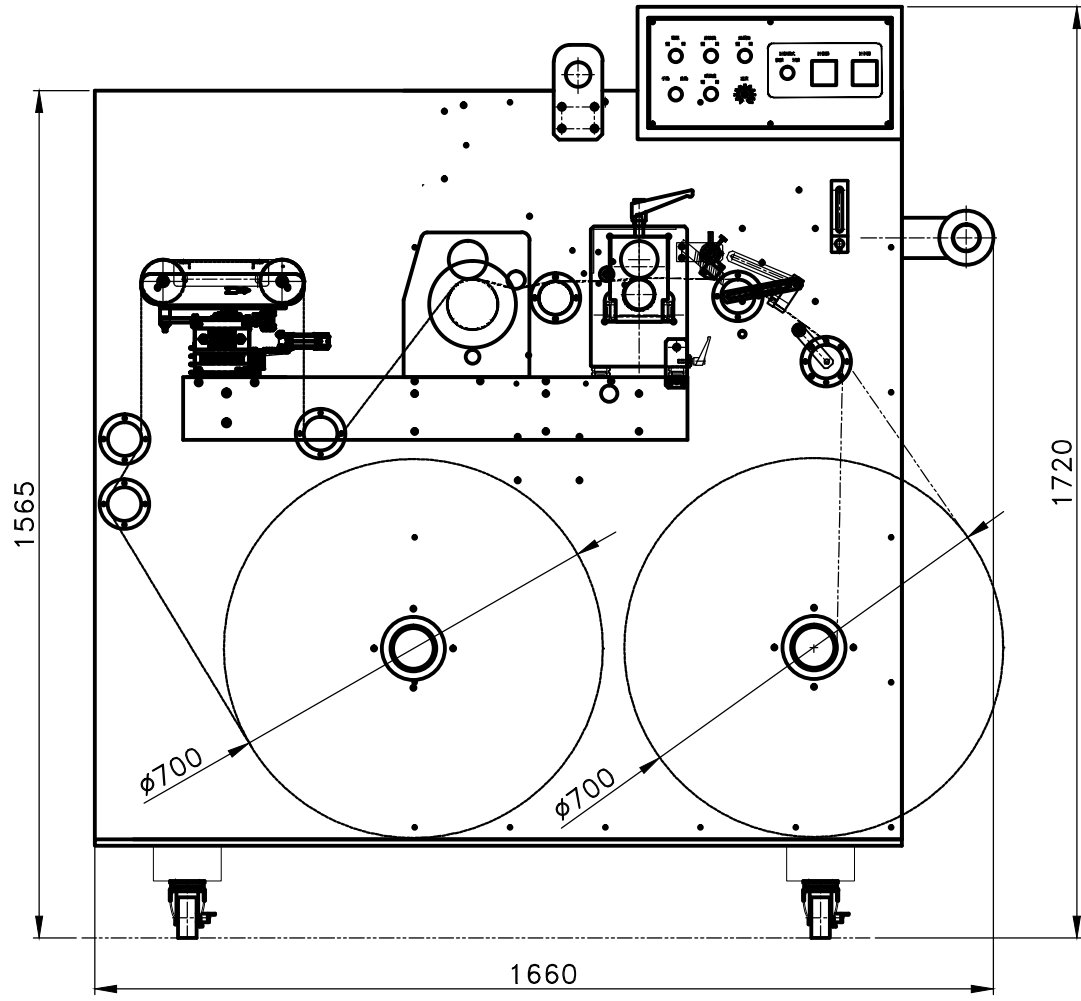
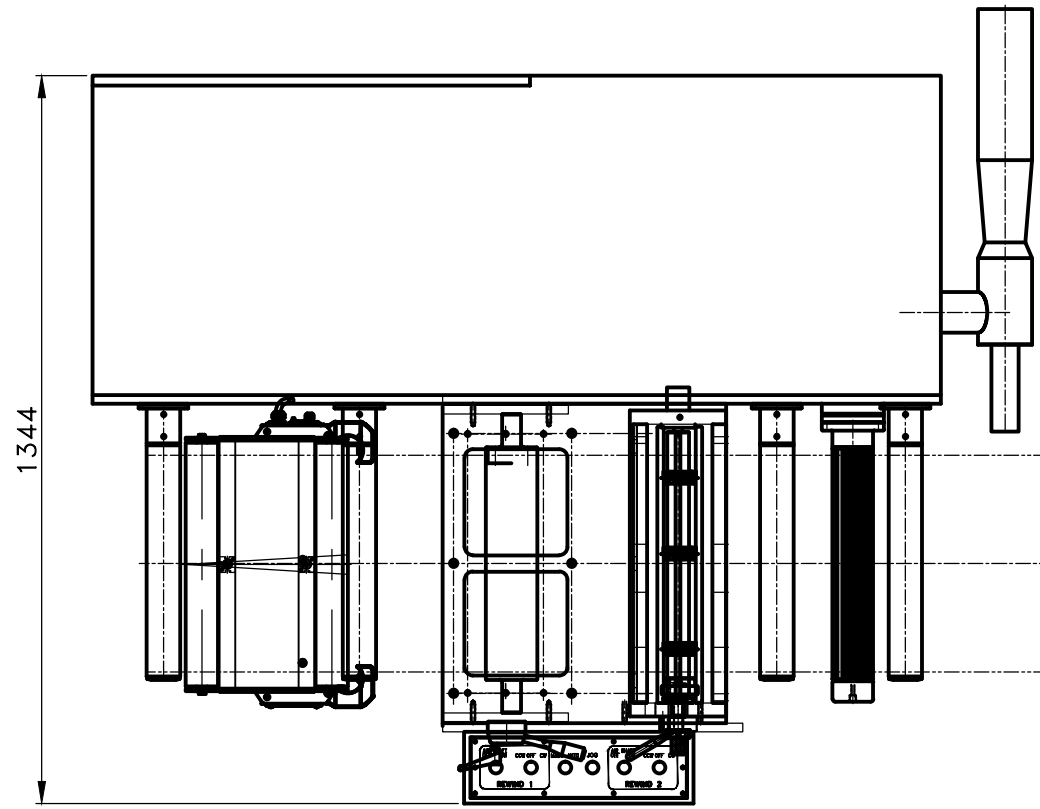
1

2

3

4

5



NAME		OVERALL COMPOSITION DRAWING				
DWG NO.	DATE		<i>design</i>	<i>check</i>	<i>approve</i>	
	SCALE					



LINK LABEL MACHINERY CO.,LTD.