



www.pumps.com.tw

JA-80

Home Booster Pump For pressure boosting water

Built-in automatic Switch

Low noise

Hmax: 8.5M(50Hz) / 10M(60Hz)

Qmax: 26 lpm

Enclosure & Insulation class : IP42

Maximum liquid temperature : JA-80/40°C JA-80S/60°C

JA-80S

Stainless Steel Pump Casing



JA-80

Cast Iron Pump Casing



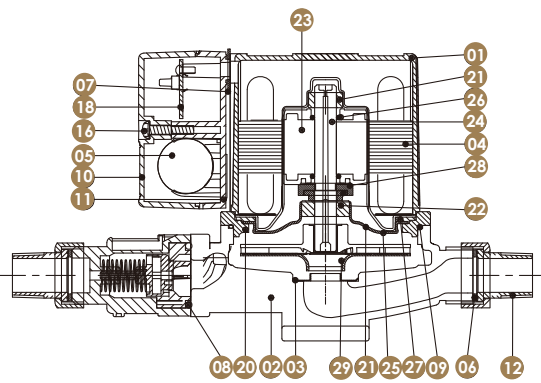
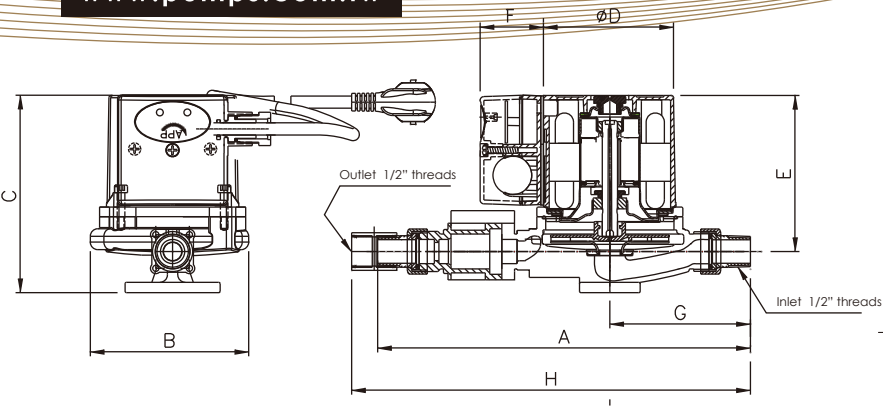
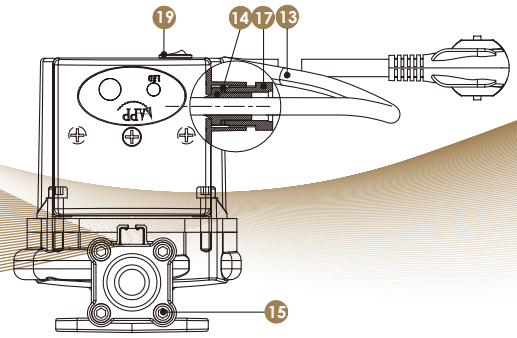
Providing additional pressure to showers, taps and similar outlet points for domestic water.



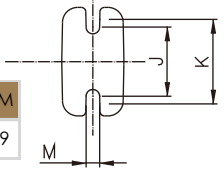
Add 0.5~0.75 bar pressure to the existing inlet pressure.

HUNG PUMP GROUP

Home Booster



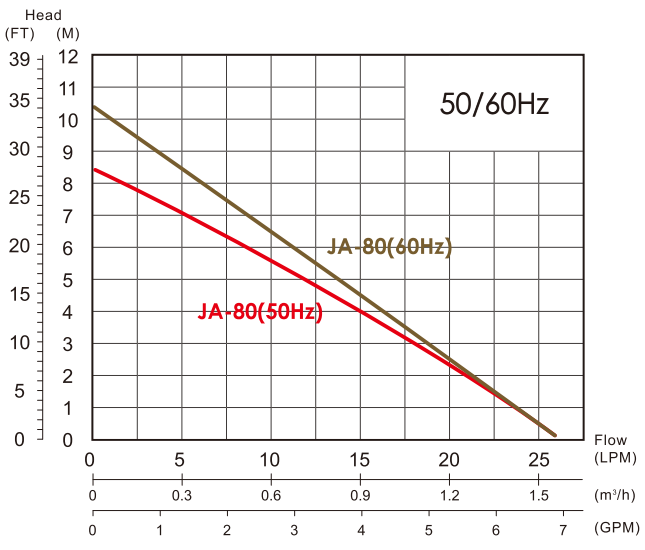
	A	B	C	D	E	F	G	H	J	K	M
mm	240	106	132	84	102	45	95	257	46	56	9



Construction

No.	Description	Material	No.	Description	Material
1	Motor Housing	ADC12	16	Screw	SUS304
2	Pump Casing	FC200	17	Screw	POM
3	Inlet	SUS304	18	PCB	
4	Stator	Laminated Steel	19	Switch	
5	Capacitor		20	Seal Plate	NYLON+3GF
6	Packing	EPDM	21	Bearing Cover	SUS304
7	Packing	EPDM	22	Upper Sleeve	AI2O3
8	O-ring	NBR	23	Lower Sleeve	AI2O3
9	O-ring	NBR	24	Bearing Cover	SUS304
10	Capacitor Upper Casing	NYLON+3GF	25	Shaft	AI2O3
11	Capacitor Lower Casing	NYLON+3GF	26	Cord Nut	NBR
12	Discharge Adaptor	BRASS	27	Packing	EPDM
13	Power Cable		28	Packing	EPDM
14	Cable Fixed Plate	NYLON	29	Impeller	PP+GF
15	Screw	SUS304			

Selector in position	The pump
I Off	is switched off
II Auto	starts and stops automatically
III Manual	runs continuously



Easy Installation

Leakage free & long service life for Stainless Steel canned rotor with ceramic shaft & bearing.

Built-in Automatic Switch

Front-end Pressure Adding

Low noise & Space intelligent for it's encapsulated rotor.

Energy Saving

Specification

Hz	Model No.	Power		Outlet		Rated		Maximum		Dimension L x W x H(mm)	Weight Kg
		HP	W	mm	inch	Head(M)	Flow (l/m)	Head(M)	Flow (l/m)		
50	JA-80	1/10	80	20	3/4"	4	15	8.5	26	255 x 155 x 214	3.5
60						6	12	10	26		