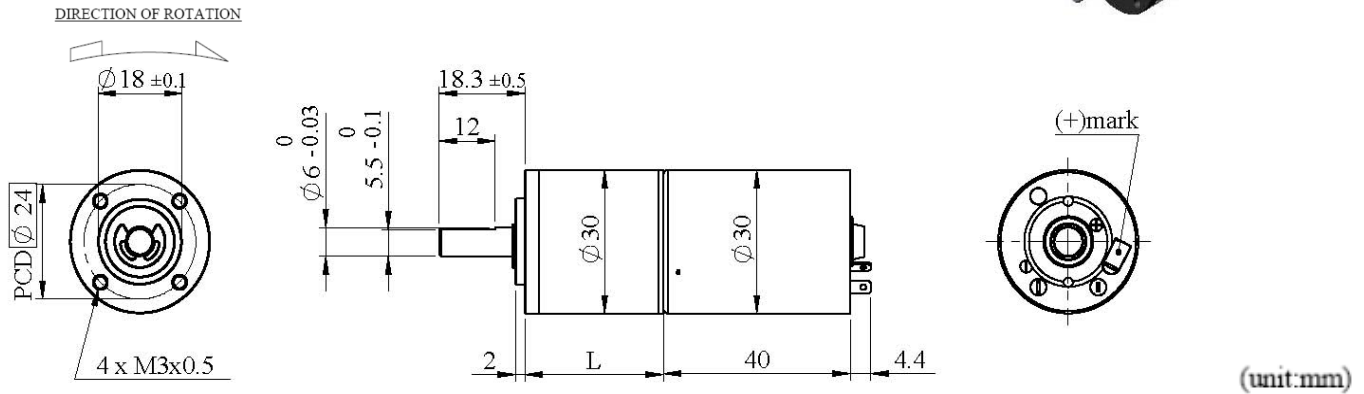




PK305N Series of DC Planetary Gear Motor



Appearance Dimensions:



Specifications of DC Gear Motor :

Model	Rated Voltage	Reduction Ratio	1/14	1/19	1/27	1/51	1/71	1/100	1/139	1/189	1/264	1/516	1/721
0280	12V	Rated Torque (kg-cm)	1.0	1.3	1.8	3.0	4.0	6.0	8.0	9.0	12	21	21
		Rated Speed (rpm)	490	350	250	130	95	68	48	36	26	14	10
		Rated Current (A)	0.87	0.87	0.87	0.87	0.87	0.87	0.87	0.87	0.87	0.87	0.77
0960	24V	Rated Torque (kg-cm)	1.0	1.5	2.0	3.3	4.5	6.5	9.0	10	14	21	21
		Rated Speed (rpm)	370	265	190	100	70	52	37	27	20	10	7.5
		Rated Current (A)	0.38	0.38	0.38	0.38	0.38	0.38	0.38	0.38	0.38	0.38	0.30
0982	24V	Rated Torque (kg-cm)	1.00	1.50	2.00	3.50	4.80	6.80	9.50	11	15	21	21
		Rated Speed (rpm)	510	365	260	140	100	70	50	37	27	14	11
		Rated Current (A)	0.50	0.50	0.50	0.50	0.50	0.50	0.50	0.50	0.50	0.50	0.40

Specifications of Gearbox :

Reduction Ratio	1/14	1/19	1/27	1/51	1/71	1/100	1/139	1/189	1/264	1/516	1/721
Gearbox Length (L)	29.7	29.7	29.7	36.2	36.2	36.2	36.2	42.8	42.8	42.8	42.8
Rated Torque (kg-cm)	10	10	10	15	15	15	15	22	22	22	22
Max.Momentary Torque (kg-cm)	20	20	20	30	30	30	30	44	44	44	44
Efficiency (%)	70	70	70	60	60	60	60	50	50	50	50
Radial Play of Shaft (mm)	0.05	0.05	0.05	0.05	0.05	0.05	0.05	0.05	0.05	0.05	0.05
Thrust Play of Shaft (mm)	0.35	0.35	0.35	0.35	0.35	0.35	0.35	0.35	0.35	0.35	0.35
Output Shaft Axial Load (kg)	2.50	2.50	2.50	2.50	2.50	2.50	2.50	2.50	2.50	2.50	2.50
Output Shaft Radial Load (kg)	3.00	3.00	3.00	3.00	3.00	3.00	3.00	3.00	3.00	3.00	3.00

Notes:

1. The specifications may change or update without notice since the product improvement.
2. The customized specifications, shafts, lead wires are available.